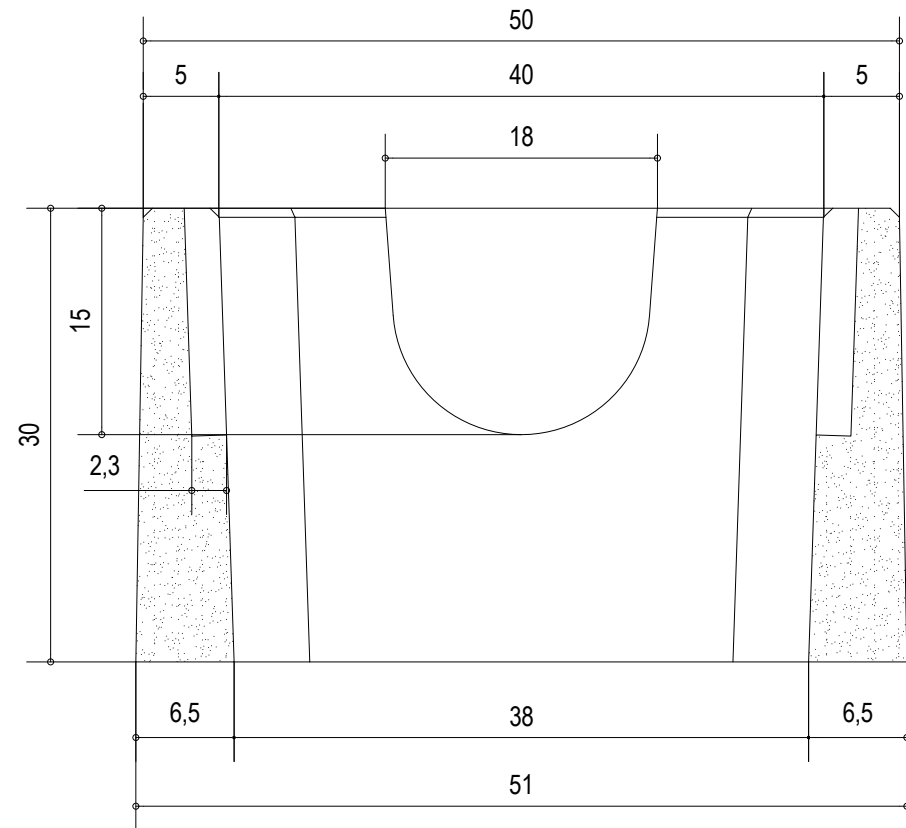
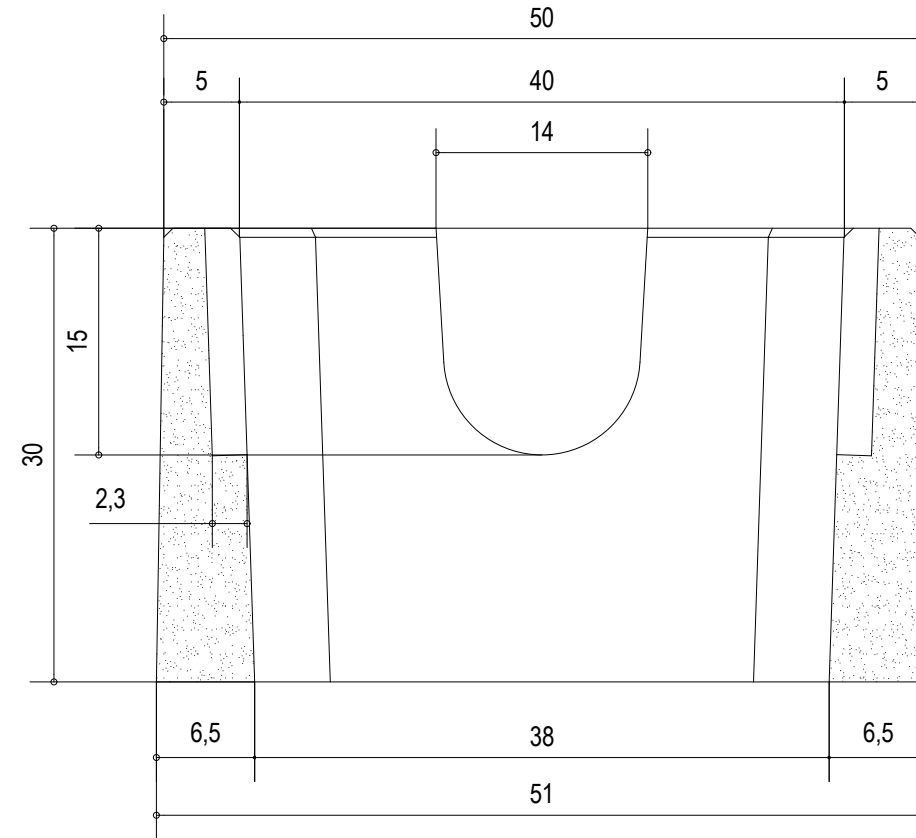


KENMERKEN		CARACTERISTIQUES
Gewicht	70 kg	Poids

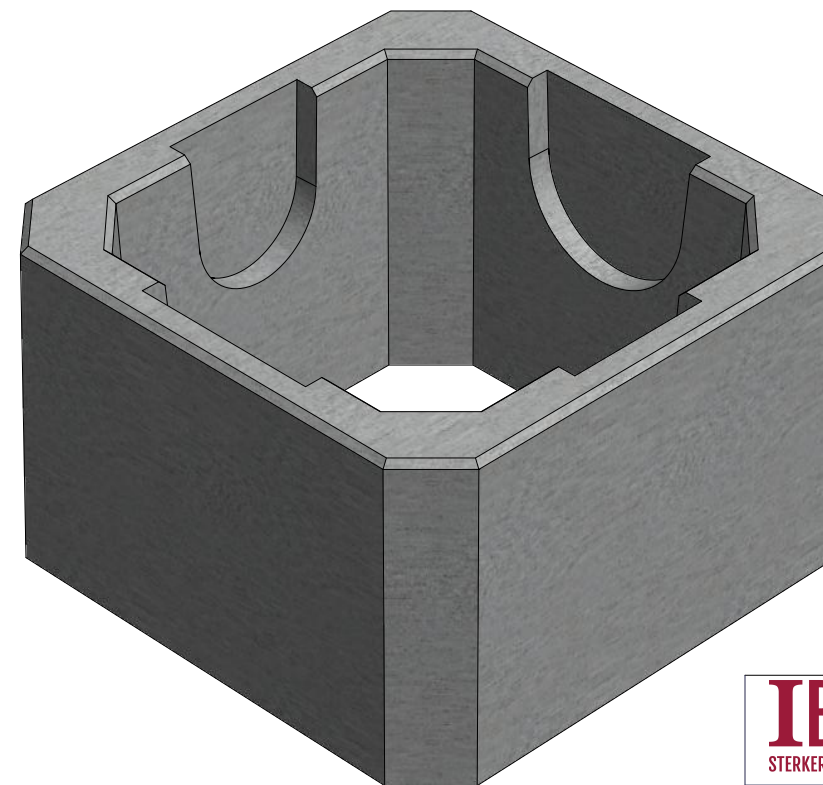
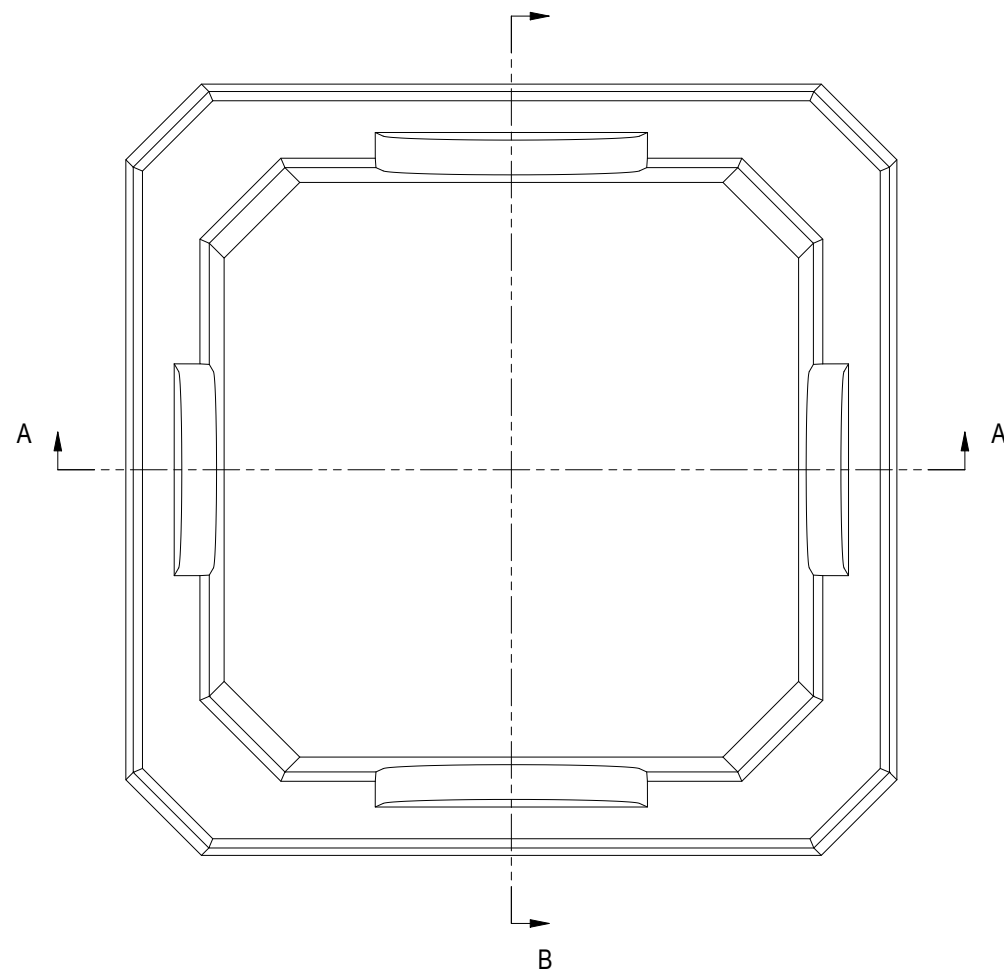
VOORAANZICHT  
VUE DE FACE



ZIJAANZICHT  
VUE LATÉRALE



BOVENAANZICHT  
VUE DE DESSUS  
B



**IBeton**  
STERKER DAN BETON *Jelegans*

**IBeton bvba**  
Industrieterrein TTS  
Italiëstraat 8-10  
9140 Temse

☎ : 03/711 25 44  
☎ : 03/711 25 45  
✉ : info@ibeton.be  
🌐 : www.ibeton.be

MATERIAL:	BETON / BÉTON	SCALE: 1 : 5
		SIZE: A3

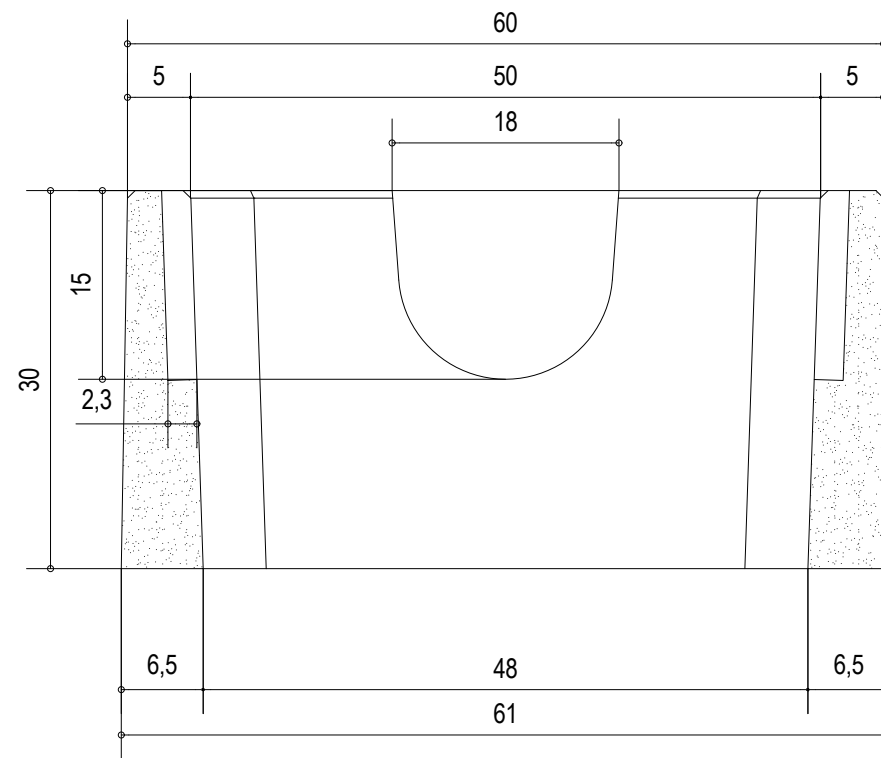
TITLE:	<b>OPZETSTUK REHAUSSE</b>	
--------	-------------------------------	--

SHEET:	NUMBER:	REV:
1 of 1	PVR150	01

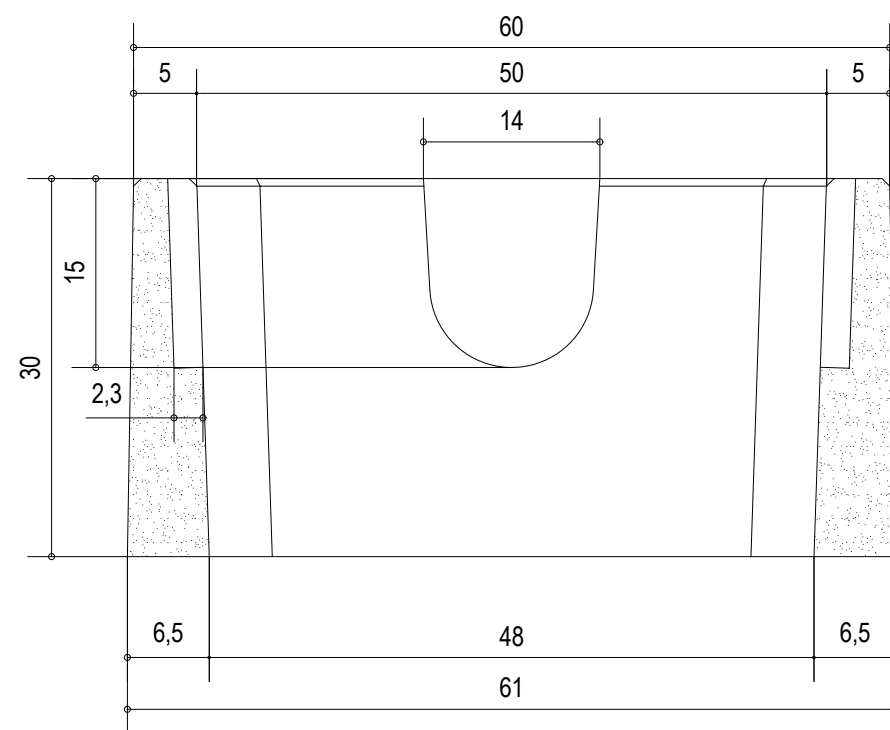
DRAWN BY:	SG	DATE:	10/08/2018
APPROVED BY:	CI	DATE:	17/08/2018
<b>PROPRIETARY</b> <small>THIS DOCUMENT MAY CONTAIN CONFIDENTIAL TECHNICAL DATA, INCLUDING TRADE SECRETS PROPRIETARY TO IBETON. THE DRAWING, DESIGN RIGHTS AND ALL OTHER DISCLOSURES IN THIS DOCUMENT ARE THE PROPERTY OF IBETON. UNAUTHORIZED USE, COPYING, DISTRIBUTION TO THIRD PARTIES, MANUFACTURE, OR REPRODUCTION IN WHOLE OR IN PART IS PROHIBITED.</small>			
<b>REMARKS:</b> afmetingen in cm - wijzigingen voorbehouden <small>dimensions en cm - sous réserve de modifications</small>			

KENMERKEN		CARACTERISTIQUES	
Gewicht	87 kg	Poids	

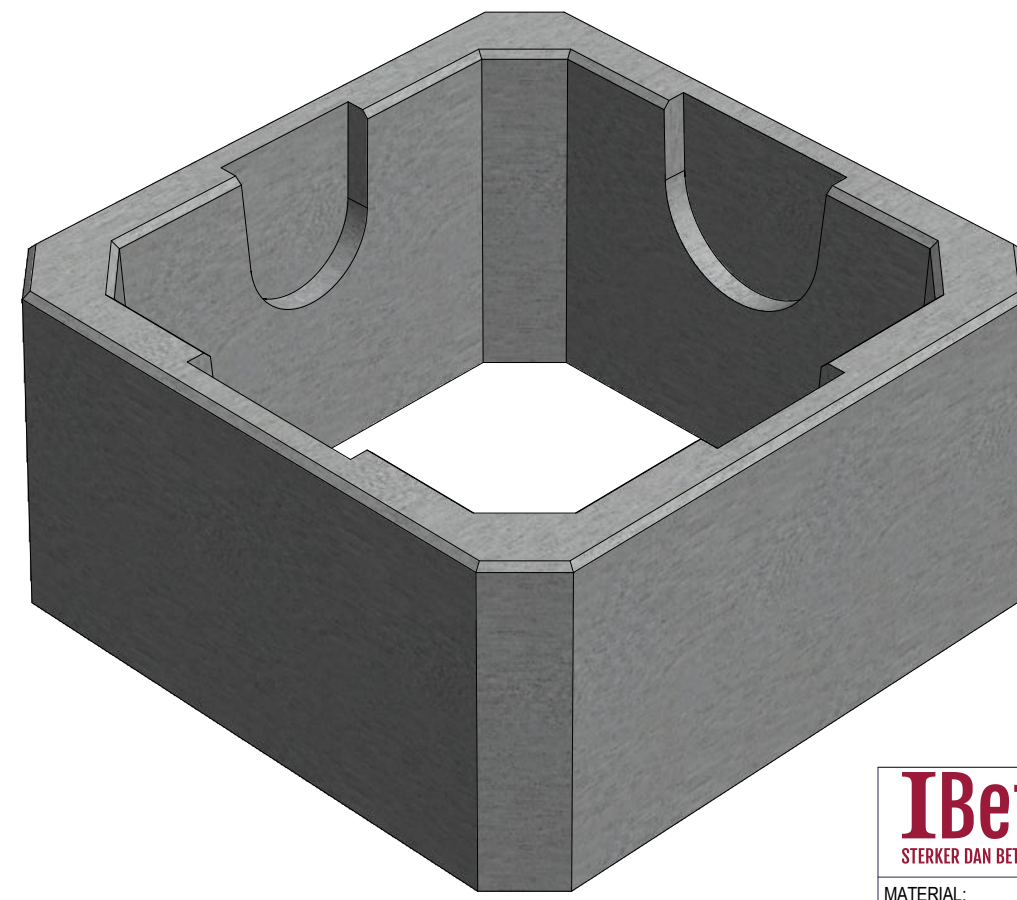
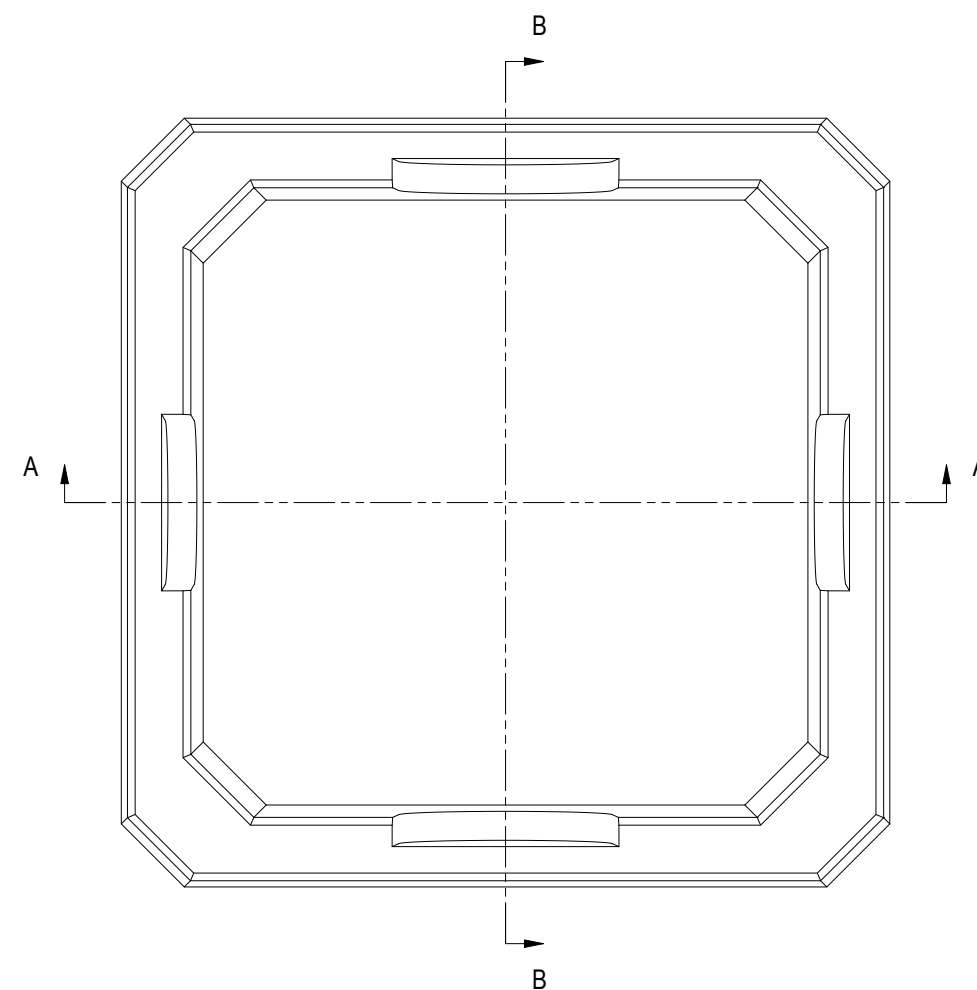
VOORAANZICHT  
VUE DE FACE



ZIJAANZICHT  
VUE LATÉRALE



BOVENAANZICHT  
VUE DE DESSUS



**IBeton**  
STERKER DAN BETON *Jelegems*

**IBeton bvba**  
Industrieterrein TTS  
Italiëstraat 8-10  
9140 Temse

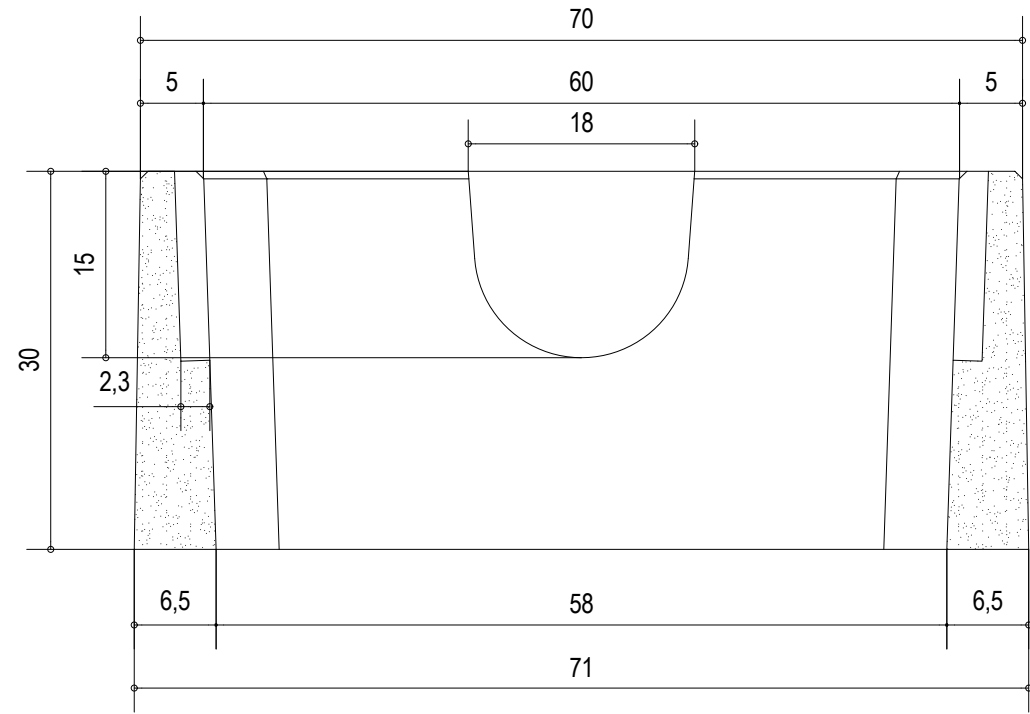
☎ : 03/711 25 44  
☎ : 03/711 25 45  
✉ : info@ibeton.be  
🌐 : www.ibeton.be

MATERIAL:		SCALE: 1 : 6	
BETON / BÉTON		SIZE: A3	
TITLE: <b>OPZETSTUK REHAUSSE</b>			
SHEET:	NUMBER:	REV:	
1 of 1	PVR160	01	

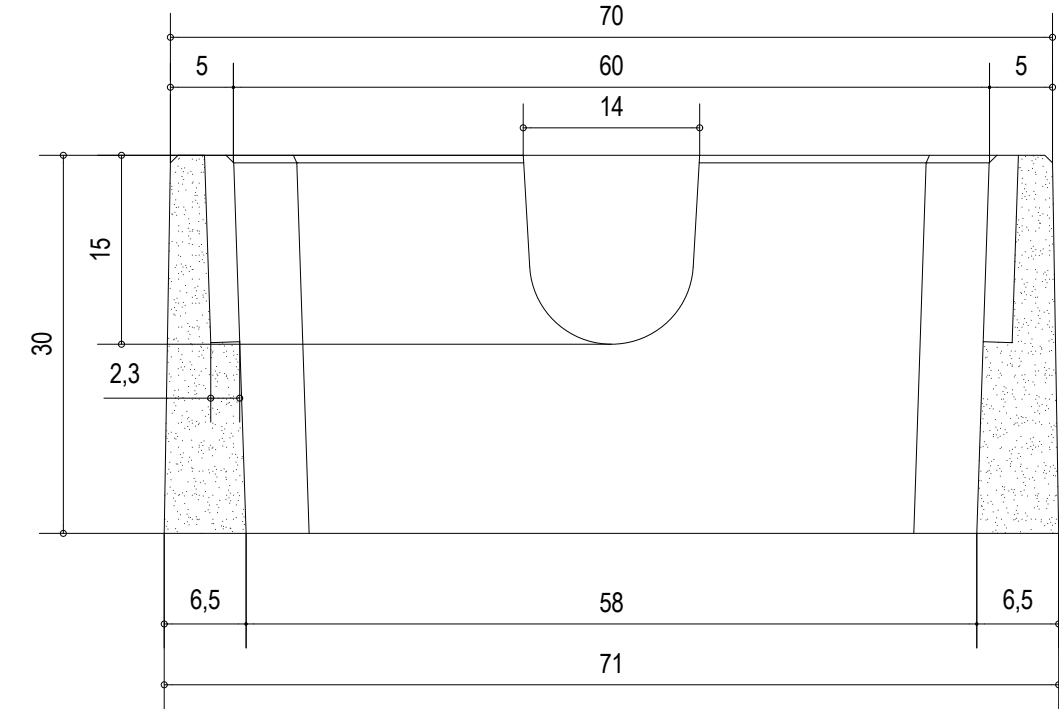
DRAWN BY: SG	DATE: 10/08/2018
APPROVED BY: CI	DATE: 17/08/2018
<small>PROPRIETARY THIS DOCUMENT MAY CONTAIN CONFIDENTIAL TECHNICAL DATA, INCLUDING TRADE SECRETS PROPRIETARY TO IBETON. THE DRAWING, DESIGN RIGHTS AND ALL OTHER DISCLOSURES IN THIS DOCUMENT ARE THE PROPERTY OF IBETON. UNAUTHORIZED USE, COPYING, DISTRIBUTION TO THIRD PARTIES, MANUFACTURE, OR REPRODUCTION IN WHOLE OR IN PART IS PROHIBITED.</small>	
<small>REMARKS: afmetingen in cm - wijzigingen voorbehouden dimensions en cm - sous réserve de modifications</small>	

KENMERKEN		CARACTERISTIQUES
Gewicht	105 kg	Poids

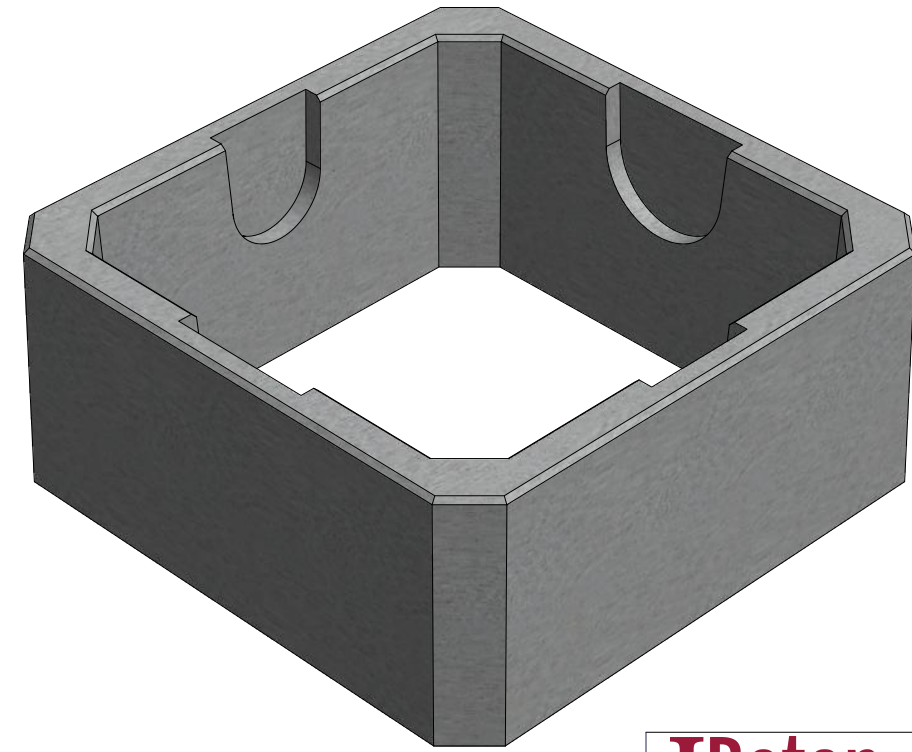
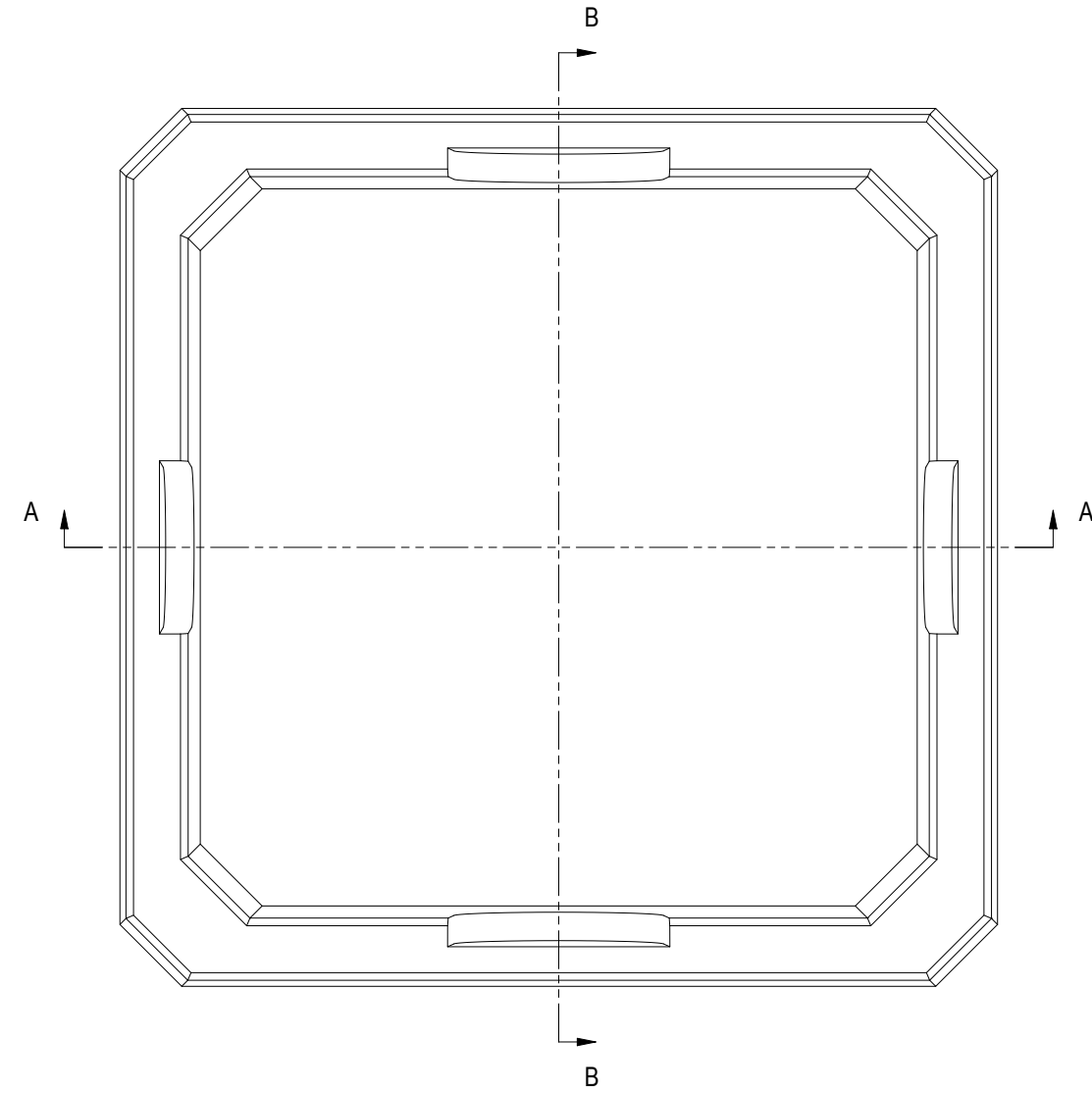
VOORAANZICHT  
VUE DE FACE



ZIJAANZICHT  
VUE LATÉRALE



BOVENAANZICHT  
VUE DE DESSUS



**IBeton**  
STERKER DAN BETON *Jelegen*

IBeton bvba  
Industrieterrein TTS  
Italiëstraat 8-10  
9140 Temse

☎ : 03/711 25 44  
☎ : 03/711 25 45  
✉ : info@ibeton.be  
🌐 : www.ibeton.be

MATERIAL:	BETON / BÉTON	SCALE:	1 : 6
TITLE:	OPZETSTUK REHAUSSE	SIZE:	A3
SHEET:	1 of 1	NUMBER:	PVR170
REV:	01		

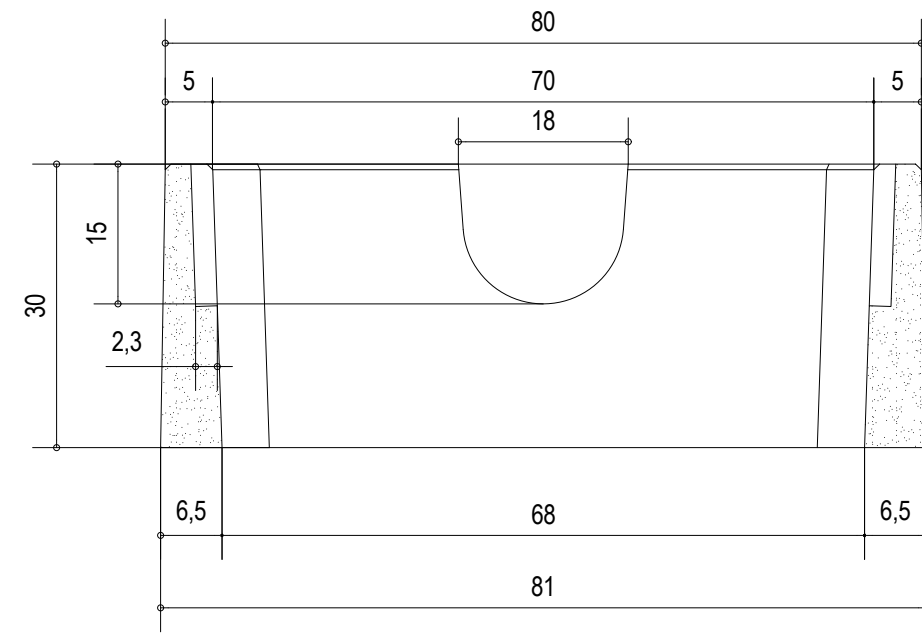
DRAWN BY: SG      DATE: 10/08/2018  
APPROVED BY: CI      DATE: 17/08/2018

**PROPRIETARY**  
THIS DOCUMENT MAY CONTAIN CONFIDENTIAL TECHNICAL DATA, INCLUDING TRADE SECRETS PROPRIETARY TO IBETON. THE DRAWING, DESIGN RIGHTS AND ALL OTHER DISCLOSURES IN THIS DOCUMENT ARE THE PROPERTY OF IBETON. UNAUTHORIZED USE, COPYING, DISTRIBUTION TO THIRD PARTIES, MANUFACTURE, OR REPRODUCTION IN WHOLE OR IN PART IS PROHIBITED.

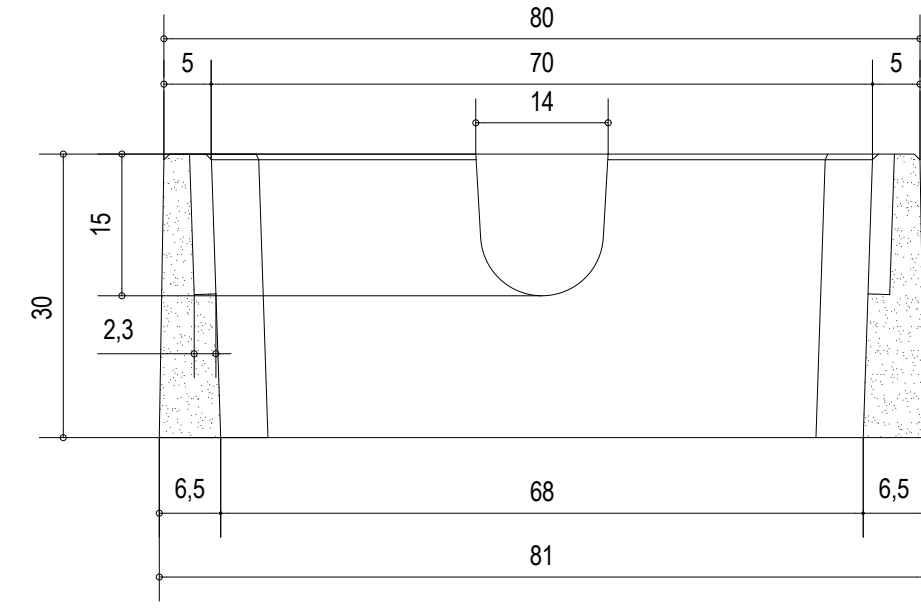
REMARKS: afmetingen in cm - wijzigingen voorbehouden  
dimensions en cm - sous réserve de modifications

KENMERKEN		CARACTERISTIQUES	
Gewicht	120 kg	Poids	

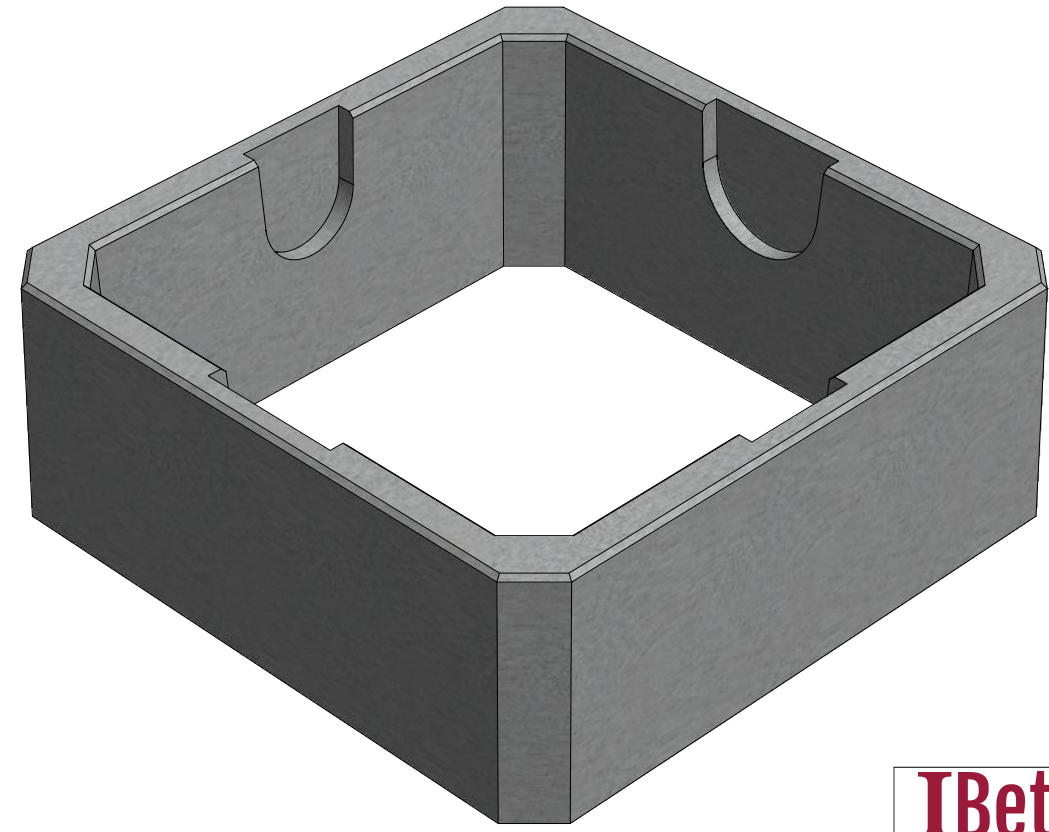
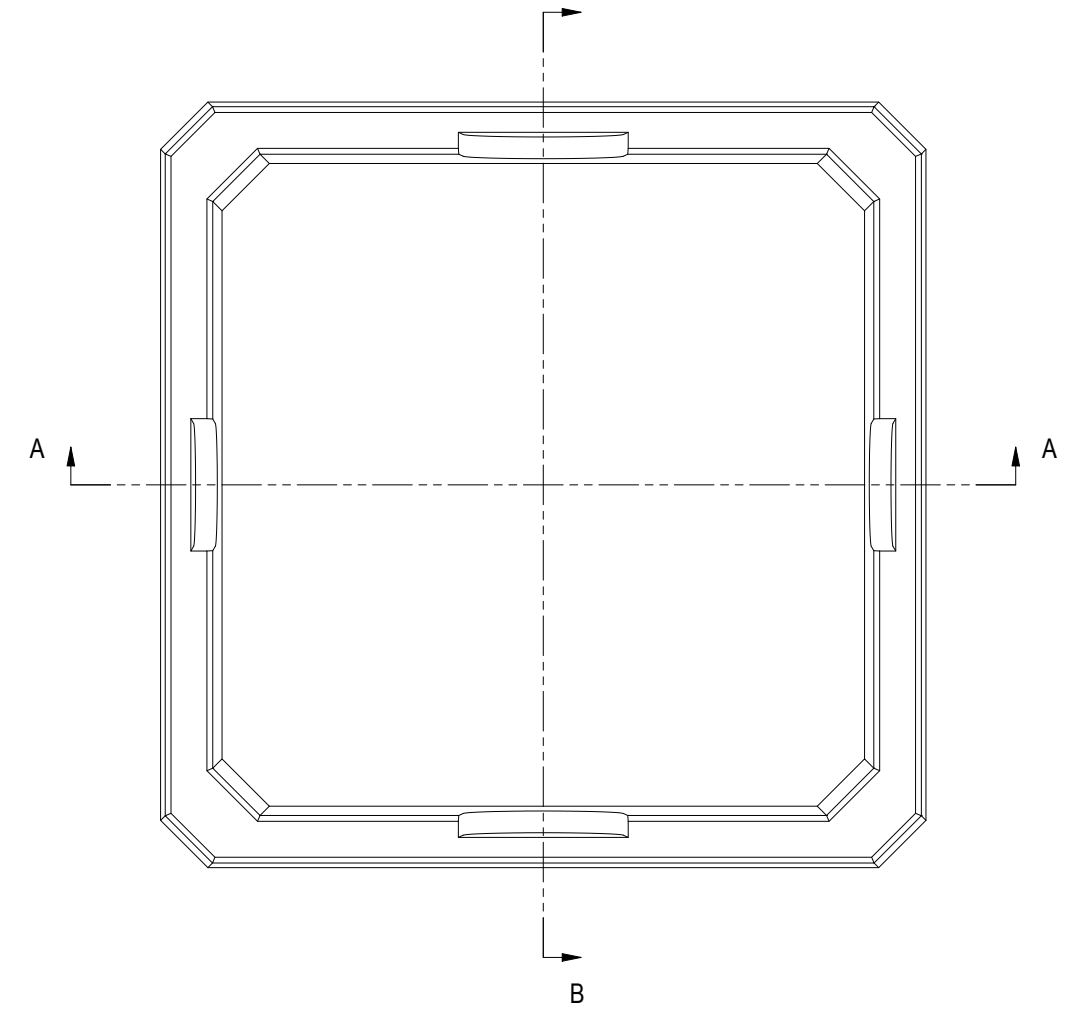
VOORAANZICHT  
VUE DE FACE



ZIJAANZICHT  
VUE LATÉRALE



BOVENAANZICHT  
VUE DE DESSUS  
B



**IBeton**  
STERKER DAN BETON *Jelegen*

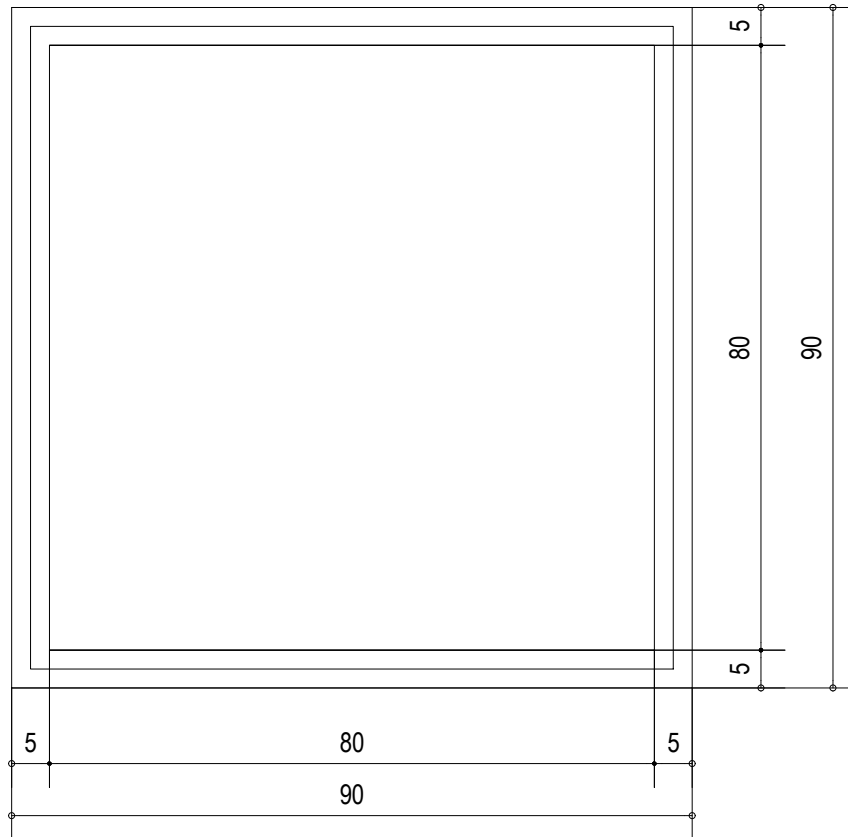
**IBeton bvba**  
Industrieterrein TTS  
Italiëstraat 8-10  
9140 Temse

☎ : 03/711 25 44  
☎ : 03/711 25 45  
✉ : info@ibeton.be  
🌐 : www.ibeton.be

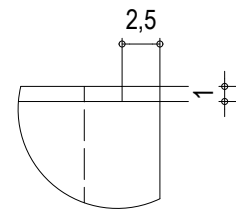
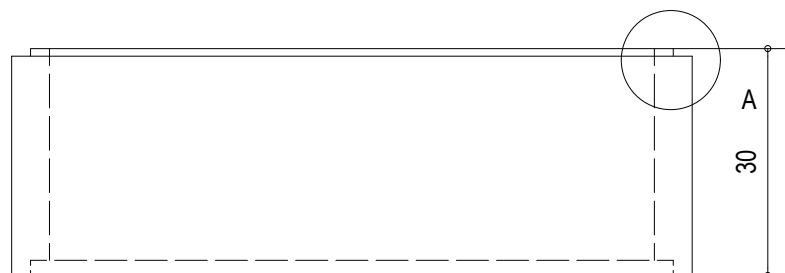
MATERIAL:	BETON / BÉTON	SCALE:	1 : 8
TITLE:	OPZETSTUK REHAUSSE		
SHEET:	1 of 1	NUMBER:	PVR180
REV:			01

DRAWN BY:	SG	DATE:	10/08/2018
APPROVED BY:	CI	DATE:	17/08/2018
<small>PROPRIETARY THIS DOCUMENT MAY CONTAIN CONFIDENTIAL TECHNICAL DATA, INCLUDING TRADE SECRETS PROPRIETARY TO IBETON. THE DRAWING, DESIGN RIGHTS AND ALL OTHER DISCLOSURES IN THIS DOCUMENT ARE THE PROPERTY OF IBETON. UNAUTHORIZED USE, COPYING, DISTRIBUTION TO THIRD PARTIES, MANUFACTURE, OR REPRODUCTION IN WHOLE OR IN PART IS PROHIBITED.</small>			
<small>REMARKS: afmetingen in cm - wijzigingen voorbehouden dimensions en cm - sous réserve de modifications</small>			

BOVENAANZICHT  
VUE DE DESSUS

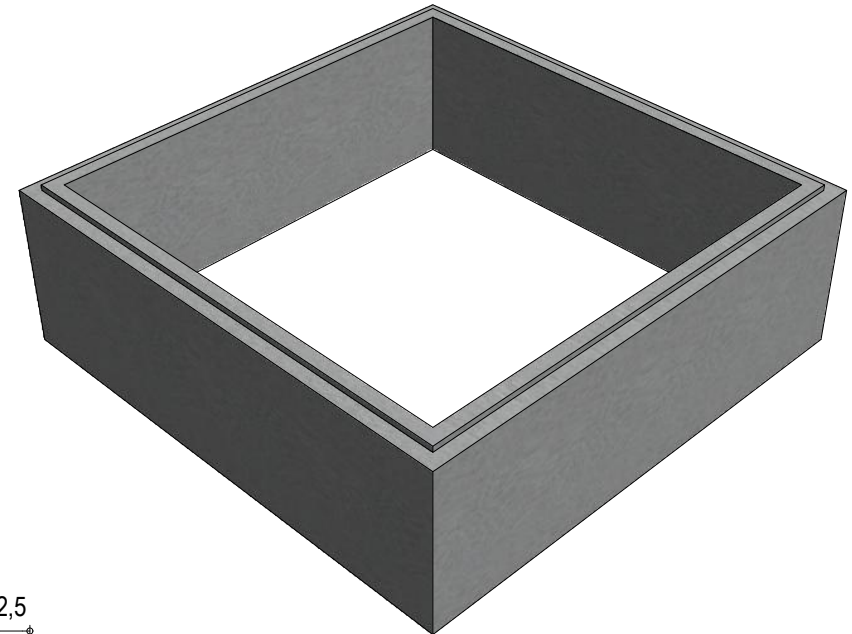


VOORAANZICHT  
VUE DE FACE



A (1 : 5)

KENMERKEN		CARACTERISTIQUES	
Gewicht		124 kg	Poids



DRAWN BY:	SG	DATE:	14/10/2016
APPROVED BY:	CI	DATE:	28/10/2016
<b>PROPRIETARY</b> <small>THIS DOCUMENT MAY CONTAIN CONFIDENTIAL TECHNICAL DATA, INCLUDING TRADE SECRETS PROPRIETARY TO IBETON. THE DRAWING, DESIGN RIGHTS AND ALL OTHER DISCLOSURES IN THIS DOCUMENT ARE THE PROPERTY OF IBETON. UNAUTHORIZED USE, COPYING, DISTRIBUTION TO THIRD PARTIES, MANUFACTURE, OR REPRODUCTION IN WHOLE OR IN PART IS PROHIBITED.</small>			
<b>REMARKS:</b> <small>afmetingen in cm - wijzigingen voorbehouden dimensions en cm - sous réserve de modifications</small>			

		<b>IBeton bvba</b> Industrieterrein TTS Italiëstraat 8-10 9140 Temse		☎ : 03/711 25 44 📠 : 03/711 25 45 ✉ : info@ibeton.be 🌐 : www.ibeton.be	
MATERIAL: <b>BETON / BÉTON</b>				SCALE: 1 : 10 SIZE: A4	
TITLE: <b>OPZETSTUK REHAUSSE</b>					
SHEET:	NUMBER:			REV:	
1 of 1	PVR190			03	